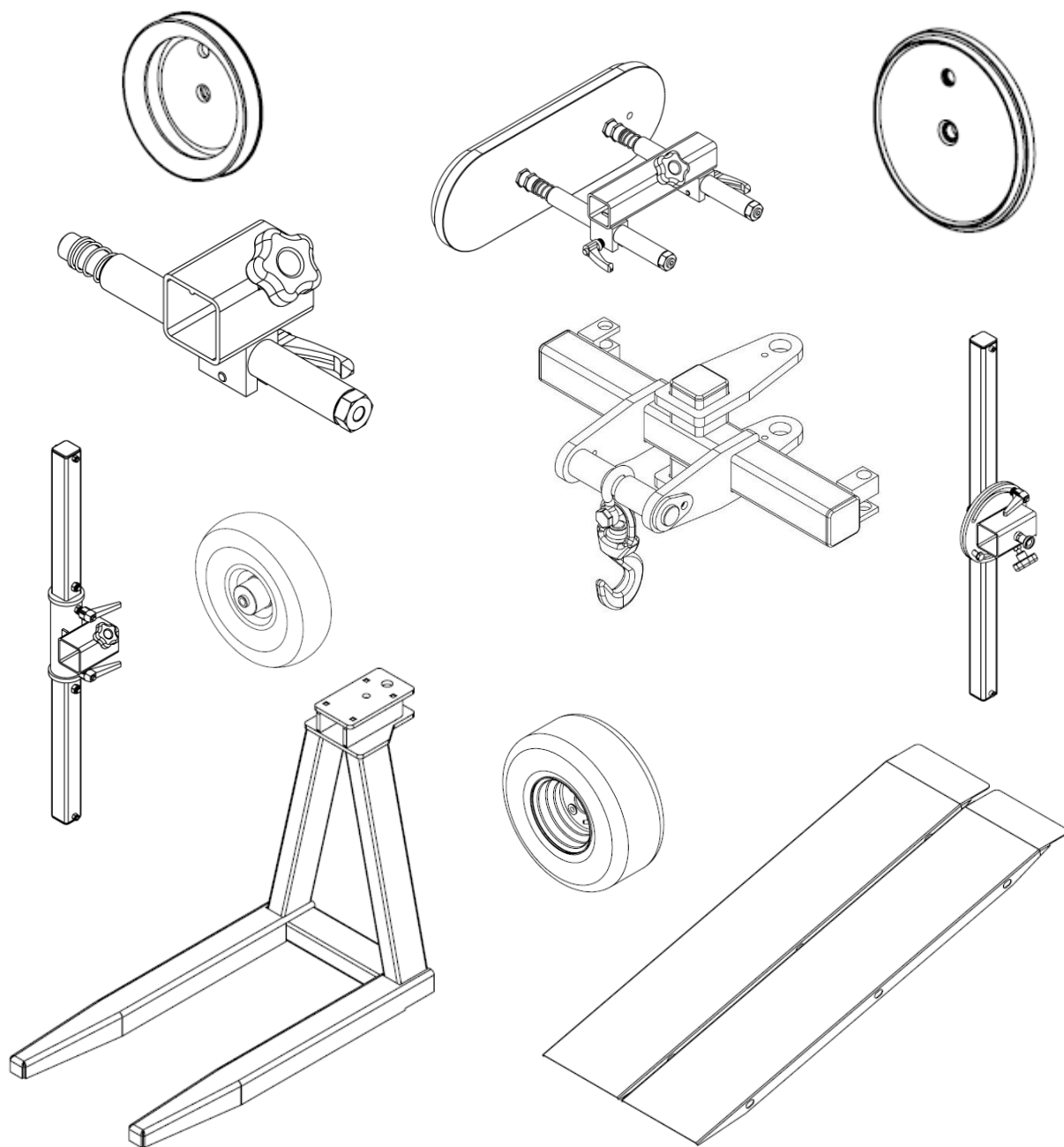


# SMARTLIFT



## Accessory guide - SL

Issued by:	Date:	Approved by:	Document name.:
TST	12-03-2024	MR	ACCESSORY GUIDE - SL EN 04

## Table of Contents

<b>1 Spare part kits .....</b>	<b>1</b>
1.1 Spare part kits - Incl. Tools .....	1
1.2 Spare part kits - Without tools .....	1
<b>2 Manual canister .....</b>	<b>3</b>
<b>3 Non-marking wheels .....</b>	<b>3</b>
3.1 Non-marking solid wheels (White) .....	3
3.2 Wheels with non-marking tire thread (White) .....	4
<b>4 Wheel covers .....</b>	<b>5</b>
<b>5 Ramps.....</b>	<b>6</b>
5.1 Ramps - Type 380 and Type 608 .....	6
5.2 Ramps - Type 1008 Two-part .....	7
5.3 Ramps - Type 609 Three-part.....	8
<b>6 Transport pallet .....</b>	<b>9</b>
<b>7 Suction cups .....</b>	<b>10</b>
7.1 SGF – Standard type on all machines .....	11
7.2 SPU – Option .....	12
7.3 SPK – Option.....	13
7.4 FSGPL – Option .....	14
7.5 SPLO – Option .....	15
7.6 Oval – Option .....	16
<b>8 Suction cup covers .....</b>	<b>17</b>
<b>9 Flexolinks .....</b>	<b>17</b>
<b>10 Suction cup holders - Extended .....</b>	<b>18</b>
<b>11 OVAL suction cup with holder .....</b>	<b>19</b>
<b>12 SPLO suction cup with holder .....</b>	<b>19</b>
<b>13 Crossbars.....</b>	<b>20</b>
13.1 Rotatable crossbars.....	20
13.2 Turnable crossbars.....	20
<b>14 Extenders for yokes and crossbars .....</b>	<b>21</b>
<b>15 Foldable handlebars .....</b>	<b>21</b>
<b>16 Pallet forks .....</b>	<b>22</b>
<b>17 Lifting hooks with holder .....</b>	<b>23</b>
<b>18 Lifting hook extenders.....</b>	<b>24</b>
<b>19 Yoke holder - Below the hook.....</b>	<b>25</b>
<b>20 Swivel joint - 30 deg.....</b>	<b>26</b>
<b>21 Cordless remote controls.....</b>	<b>27</b>
<b>22 PLC vacuum control with cordless remote control .....</b>	<b>27</b>
<b>23 Tracker GPS/GSM.....</b>	<b>28</b>



**24 Electric key switch ..... 28**

**25 Single Gyro - Angle sensor ..... 29**

**26 Work light (LED) ..... 29**

**27 Remote control battery and chargers ..... 30**

**28 SL 400 RT ..... 30**

    28.1 Remote controls, batteries and chargers ..... 30

    28.2 Pallet fork adapter ..... 30

    28.3 Quick-change – SL Quick-change ..... 31

    28.4 Quick-change – Bolt-On ..... 32

**29 Manual rotation for RT machines ..... 33**

**30 Extender with lifting hook ..... 34**

**31 Lashing eye kit for S21 Powertrain ..... 34**

Issued by:	Date:	Approved by:	Document name.:
TST	12-03-2024	MR	ACCESSORY GUIDE - SL EN 04

## 1 Spare part kits

### 1.1 Spare part kits - Incl. Tools

Enable the customer to make small repairs and keep the machine running without having to wait for the most basic spare parts.

For machine models	Item no.
Spare part kit - SL 208 - incl. tools	012638
Spare part kit - SL 280 / SL 380 - incl. tools	012639
Spare part kit - SL 580 - incl. tools	012640
Spare part kit - SL 408 - incl. tools	012641
Spare part kit - SL 408 RT - incl. tools	012642
Spare part kit - SL 608 - incl. tools	012643
Spare part kit - SL 608 RT - incl. tools	012644
Spare part kit - SL 808, SL1008 - incl. tools	012645
Spare part kit - SL 400 - incl. tools	012646
Spare part kit - SL 400 RT - incl. tools	012647
Spare part kit - ST 1300 - incl. tools	012648
Spare part kit - SL 309/409 - incl. tools	013105
Spare part kit - SL 409 RT - incl. tools	013107
Spare part kit - SL 609 - incl. tools	013109
Spare part kit - SL 609 RT - incl. tools	013111
Spare part kit - SL 1009 - incl. tools	012880

### 1.2 Spare part kits - Without tools

Enable the customer to make small repairs and keep the machine running without having to wait for the most basic spare parts.

For machine models	Item no.
Spare part kit - SL 208 - without tools	012798
Spare part kit - SL 280 / SL 380 - without tools	012799
Spare part kit - SL 580 - without tools	012800
Spare part kit - SL 408 - without tools	012801
Spare part kit - SL 408 RT - without tools	012802
Spare part kit - SL 608 - without tools	012803
Spare part kit - SL 608 RT - without tools	012804
Spare part kit - SL808, SL 1008 - without tools	012805
Spare part kit - SL 400 - without tools	012806
Spare part kit - SL 400 RT - without tools	012807
Spare part kit - ST 1300 - without tools	012808

Spare part kit - SL 309/409 - without tools	013106
Spare part kit - SL 409 RT - without tools	013108
Spare part kit - SL 609 - without tools	013110
Spare part kit - SL 609 RT - without tools	013112
Spare part kit - SL 1009 - without tools	012881

### General content of spare part kits

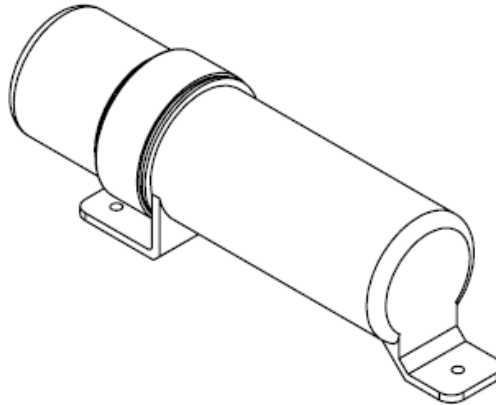
Vacuum hoses	Indexing plunger	Spring for support leg	Fuses
Thread seal tape	Hand screws	Sliding valve fittings	Tight-fitting bolt
Thread sealer	Spring loaded lock	Support wheel	Tools



## 2 Manual canister

For waterproof storage of manuals on machines.

For machine models	Size	Item no.
All machines	92x310 mm 3,6x12,2 in	012826



## 3 Non-marking wheels

### 3.1 Non-marking solid wheels (White)

Makes it possible to use the machines on e.g. painted concrete floor, without leaving black marks.

For machine models	Item no.	
	Front wheel	Rear wheel
SL 208	001232	001228
SL 280, SL 380	001318	011616
SL 580	001300	011615
SL 309	001300*	On request
SL 408, SL 409	001300*	001300*
SL 608, SL 609, SL 808, SL 1008, SL 1009	011085*	011085*

**\*ATTENTION!** Non-marking solid wheels for SL 309 / SL 408 / SL 409 and SL 608 / SL 609 / SL 808 / SL 1008 / SL 1009 have a smaller wheel width and therefore will apply load to a smaller surface.



### 3.2 Wheels with non-marking tire thread (White)

Makes it possible to use the machines on e.g. painted concrete floor, without leaving black marks. This type has similar tire thread and wheel width as the machine standard and can still be used outdoors.

For machine models	Item no.	
	Front wheel	Rear wheel
SL 208	Not available	Not available
SL 280, SL 380	Not available	Not available
SL 580	Not available	Not available
SL 309	001446	001489
SL 408, SL 409	001446	001446
SL 608, SL 609	001419	001419
SL 808, SL 1008, SL 1009	Not available	Not available





## 4 Wheel covers

Wheel covers can be used to prevent wheel markings and dirt on the floor. This is an easy solution if a machine is used both indoors and outdoors.

For machine models	Item no.	
	For front wheel	For rear wheel
SL 208, SL 280, SL 380, SL 580, SL 309	Not available	Not available
SL 408, SL 409	011004	011004
SL 608, SL 609	010999	010999
SL 808, SL 1008, SL 1009	011442	010999

### Mounting guide:







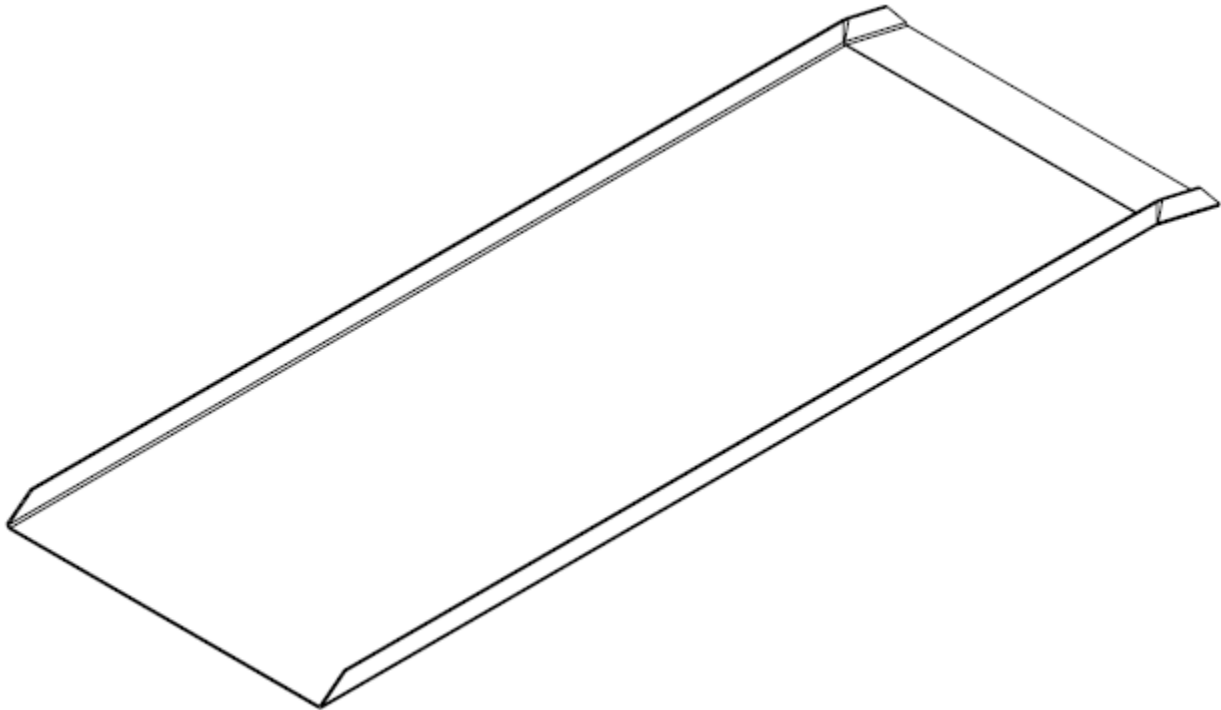
## 5 Ramps

Our ramps can be used to load machines on a trailer or into a van.

### 5.1 Ramps - Type 380 and Type 608

Type	For machine models	Item no.
Type 380	SL 208, SL 280, SL 380	1210100100
Type 608	SL 208, SL 280, SL 380, SL 580, SL 309, SL 408, SL 409, SL 608, SL 609, ST 1300	1110100100
Not available	SL 808, SL 1008, SL 1009	Not available

Specifications	Type 380	Type 608
Material	Aluminium Floor plate	Aluminium Floor plate
Surface	Diamond pattern	Diamond pattern
Size	1980x670 mm 78x26,5 in	2480x870 mm 98x34,5 in
Weight	25 kg 55 lb	45 kg 100 lb
Load Height	320-500 mm 12,6-19,7 in	420-650 mm 16,5-25,6 in
WLL	600 kg 1325 lb	1000 kg 2205 lb



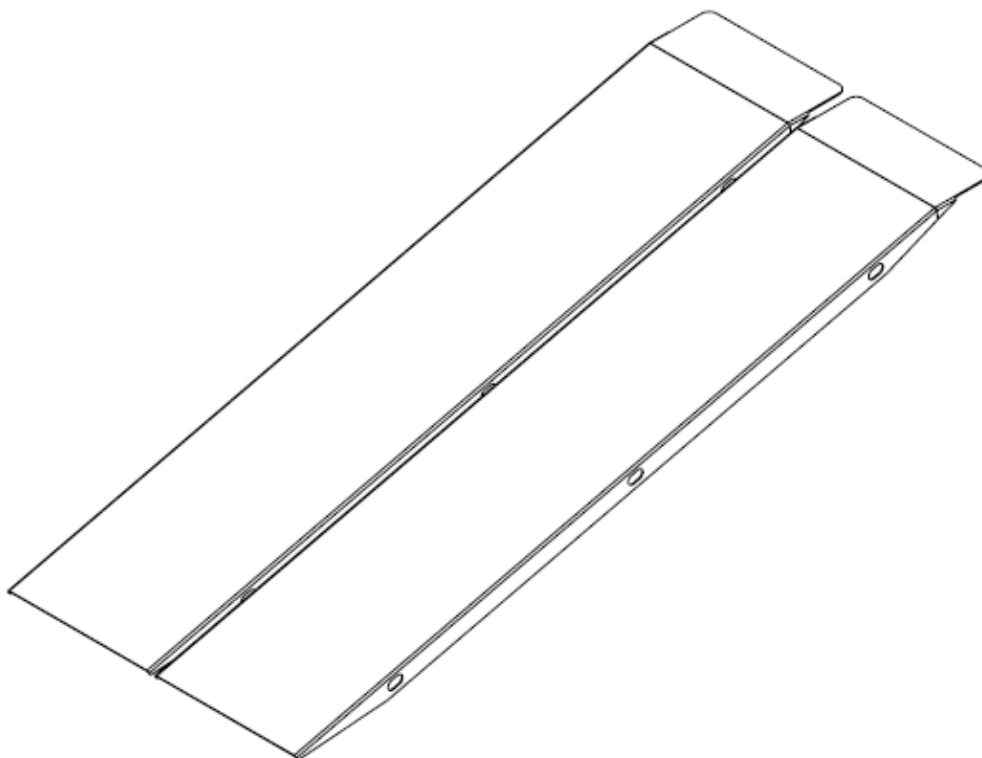
## 5.2 Ramps - Type 1008 Two-part

2-part ramps have a lower weight and are easier to handle and transport.

Type	For machine models	Item no.
Type 1008 Two-part	SL 208, SL 309, SL 408, SL 409, SL 606, SL 609, SL 808, SL 1008, SL 1009, ST 1300	2010113300
Not available	SL 280, SL 380 SL 580	Not available

**ATTENTION!** Two-part ramps are not intended for SL 280, SL 380 and SL 580 as these machines have only one rear wheel.

Specifications	Type 1008 Two-part
Material	Aluminium Floor plate
Surface	Diamond pattern
Size	2x2960x590 mm 2x116,5x23,2 in
Weight	2x35 kg 2x77 lb
Load Height	400-750 mm 15,8-30,7 in
WLL	1500 kg 2205 lb

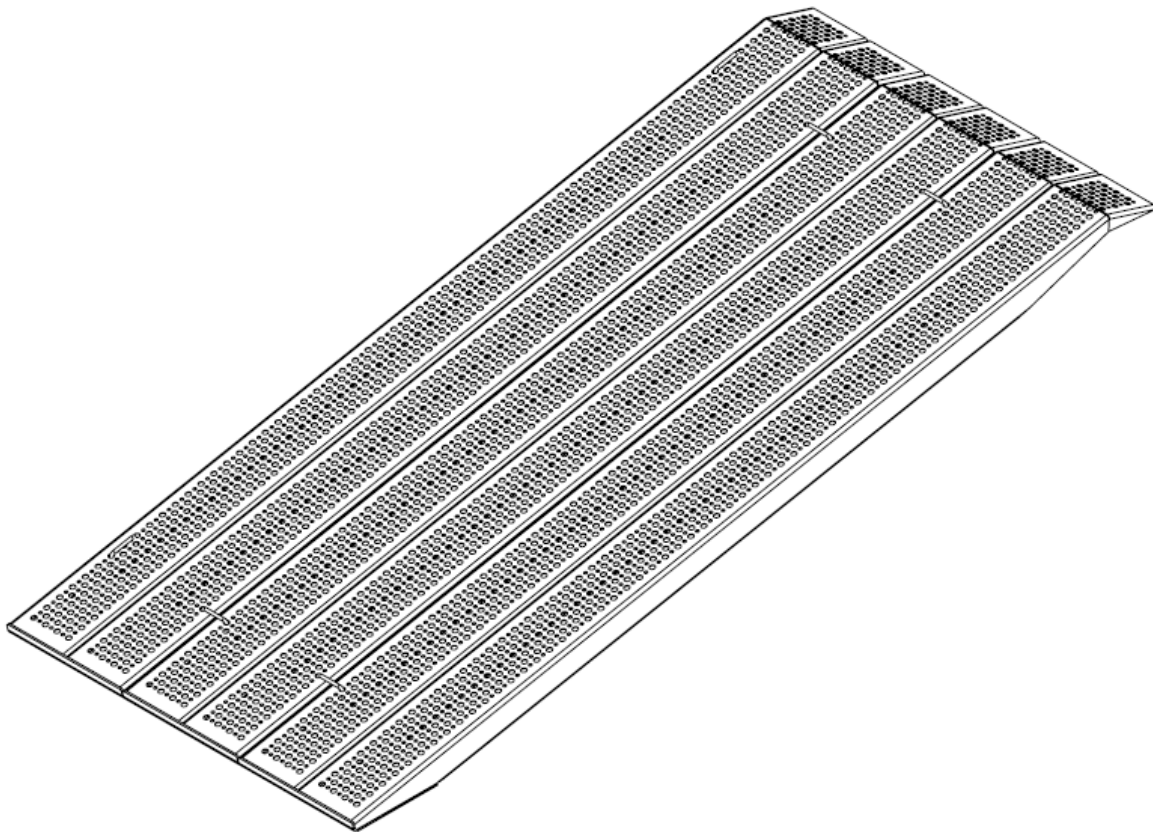


### 5.3 Ramps - Type 609 Three-part

- Low weight
- Integrated handles
- High slip resistant surface
- Ramp connectors

Type	For machine models	Item no.
Type 609 three-part	SL 280, SL 380 SL 580, SL 309, SL 408, SL 409, SL 608, SL 609, ST 1300	013785-F
Not available	SL 208, SL 1008, SL 1009	On request

Specifications	Type 609 Three-part
Material	Aluminium
Surface	High slip resistant
Size	3x2440x350 mm 3x96,0x13,8 in
Weight	3x13,5 kg 3x30 lb
Load Height	550-900 mm 21,7-35,4 in
WLL	1250 kg per axle 2755 lb per axle

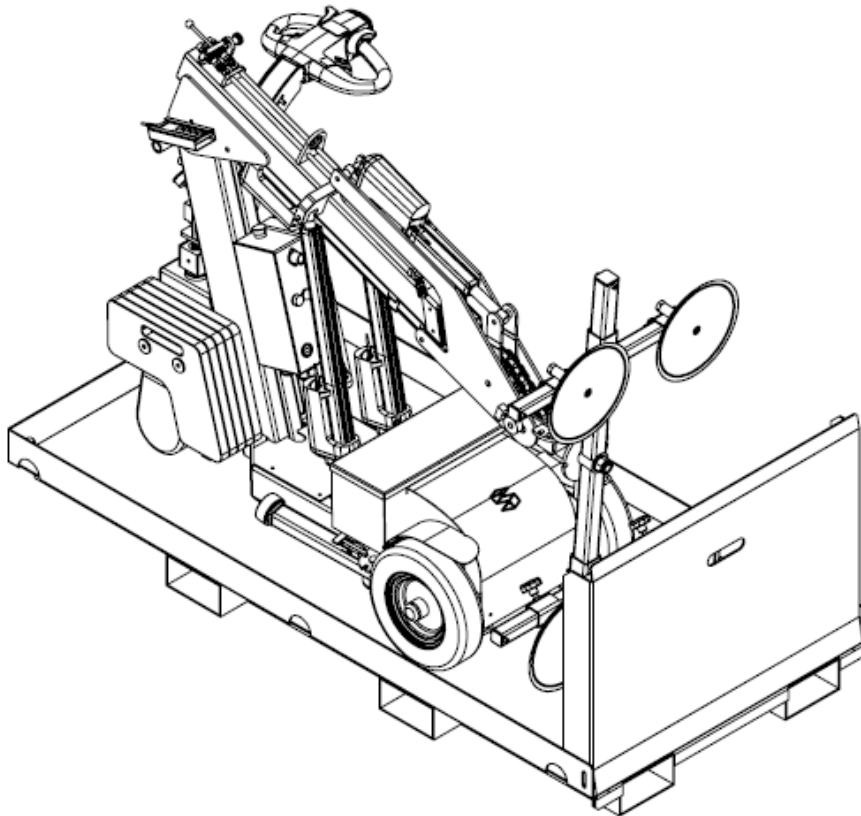


## 6 Transport pallet

A transport pallet can be used when storing the machine in a pallet rack or when transporting the machine on a flatbed trailer.

For machine models	Item no.
SL 208, SL 280, SL 380	2010101430
SL 580, SL, 309, SL 408, SL 409, SL 608, SL 609, SL 808, SL 1008, SL 1009	Not available

Specifications	Type 380
Material	Aluminium Floor plate
Surface	Diamond pattern
Pallet size	2165x1010 mm 85,2x39,8 in
Ramp size	995x675 mm 39,0x26,6 in
Weight	82 kg 180 lb



## 7 Suction cups

Machine models	Standard suction cups size	Number of suction cups	Vacuum level
SL 208	200 mm / 8 in	4	-0,72 bar
SL 280	300 mm / 12 in	4	-0,63 bar
SL 380	300 mm / 12 in	4	-0,63 bar
SL 580	300 mm / 12 in	4	-0,63 bar
SL 408	300 mm / 12 in	4	-0,63 bar* -0,72 bar*
SL 608	400 mm / 16 in	4	-0,63 bar
SL 309	300 mm / 12 in	4	-0,63 bar
SL 409	300 mm / 12 in	4	-0,72 bar
SL 609	400 mm / 16 in	4	-0,63 bar
SL 780, SL 808	400 mm / 16 in 300 mm / 12 in	4 2	-0,63 bar
SL 1008, SL 1009	400 mm / 16 in	6	-0,63 bar
SL 400 RT	300 mm / 12 in	4	-0,72 bar

\*SL 408 vacuum level depends on model and date of manufacture.

The suction cups are suitable for lifting different materials with different surfaces. However, the following applies to all types of suction cups:

- Materials must be airtight for the machines to generate sufficient vacuum.
- Vacuum is sufficient when the vacuum pumps automatically turns off and do not restart within 10 minutes.
- Examples of non-airtight materials:
  - Wooden boards, plaster boards, cardboard and cement tiles.
- Always perform a test if there is any doubt whether the material is airtight or not.
  - **ATTENTION! Always keep the material fixed to prevent it from falling down or tipping over if the vacuum fails!**
  - Apply vacuum to the material with a Smartlift.
  - Vacuum is sufficient and the material is airtight when the vacuum pumps automatically turns off and do not restart within 10 minutes.

## 7.1 SGF – Standard type on all machines



Suitable for smooth and even surfaces

### SGF **-0,63** bar

Size - Diameter		WLL - 4 cups		WLL - 6 cups		WLL - 8 cups		Article no.
125 mm	5 in	47 kg	104 lb	70 kg	154 lb	94 kg	207 lb	010399
150 mm	6 in	73 kg	161 lb	110 kg	243 lb	146 kg	322 lb	010474
200 mm	8 in	161 kg	355 lb	241 kg	531 lb	322 kg	710 lb	010421
250 mm	10 in	222 kg	489 lb	330 kg	728 lb	444 kg	979 lb	Not available
300 mm	12 in	348 kg	767 lb	520 kg	1146 lb	696 kg	1534 lb	012835
350 mm	14 in	473 kg	1043 lb	710 kg	1565 lb	946 kg	2086 lb	Not available
400 mm	16 in	652 kg	1437 lb	980 kg	2161 lb	1304 kg	2875 lb	012836
Curve radius min (convex) 9000 mm / 354 in								

### SGF **-0,72** bar

Size - Diameter		WLL - 4 cups		WLL - 6 cups		WLL - 8 cups		Article no.
125 mm	5 in	59 kg	130 lb	88 kg	193 lb	118 kg	259 lb	010399
150 mm	6 in	91 kg	201 lb	138 kg	303 lb	183 kg	402 lb	010474
200 mm	8 in	201 kg	444 lb	301 kg	664 lb	403 kg	887 lb	010421
250 mm	10 in	278 kg	612 lb	413 kg	909 lb	555 kg	1224 lb	Not available
300 mm	12 in	435 kg	959 lb	650 kg	1433 lb	870 kg	1918 lb	012835
350 mm	14 in	591 kg	1303 lb	888 kg	1957 lb	1183 kg	2607 lb	Not available
400 mm	16 in	815 kg	1797 lb	1225 kg	2701 lb	1630 kg	3594 lb	012836
Curve radius min (convex) 9000 mm / 354 in								

#### ATTENTION!

- **Newer use less than 4 suction cups!**
- **Always replace with suction cups with the same or higher WLL!**
  - If this is not possible, additional suction cups must be added to each vacuum circuit to maintain machine WLL and safety factor!
  - If suction cups with lower WLL are used, the overall WLL of the machine is reduced!
- See the standard suction cups size and vacuum level for the machine in the beginning of section 7 **Suction cups!**
- **Always contact customer service regarding suction cup sizes, numbers and configurations!**

## 7.2 SPU – Option



Suitable for minor rough surfaces

SPU <b>-0,63</b> bar								
Size - Diameter		WLL - 4 cups		WLL - 6 cups		WLL - 8 cups		Article no.
100 mm	4,0 in	18 kg	40 lb	27 kg	60 lb	36 kg	79 lb	Not available
125 mm	5,0 in	36 kg	79 lb	54 kg	119 lb	72 kg	159 lb	010459
160 mm	6,5 in	60 kg	132 lb	90 kg	198 lb	120 kg	265 lb	Not available
210 mm	8,5 in	125 kg	276 lb	187 kg	412 lb	250 kg	551 lb	Not available
250 mm	10,0 in	194 kg	428 lb	291 kg	642 lb	388 kg	855 lb	010406
300 mm	12,0 in	301 kg	664 lb	451 kg	994 lb	602 kg	1327 lb	012892
360 mm	14,0 in	473 kg	1043 lb	710 kg	1565 lb	946 kg	2086 lb	010403
400 mm	16,0 in	587 kg	1294 lb	880 kg	1940 lb	1174 kg	2588 lb	Not available
Curve radius min (convex) 3000 mm / 118 in								

SPU <b>-0,72</b> bar								
Size - Diameter		WLL - 4 cups		WLL - 6 cups		WLL - 8 cups		Article no.
100 mm	4,0 in	23 kg	50 lb	34 kg	74 lb	45 kg	99 lb	Not available
125 mm	5,0 in	45 kg	99 lb	68 kg	149 lb	90 kg	198 lb	010459
160 mm	6,5 in	75 kg	165 lb	113 kg	248 lb	150 kg	331 lb	Not available
210 mm	8,5 in	156 kg	344 lb	234 kg	515 lb	313 kg	689 lb	Not available
250 mm	10,0 in	243 kg	535 lb	364 kg	802 lb	485 kg	1069 lb	010406
300 mm	12,0 in	376 kg	829 lb	564 kg	1243 lb	753 kg	1659 lb	012892
360 mm	14,0 in	591 kg	1303 lb	888 kg	1957 lb	1183 kg	2607 lb	010403
400 mm	16,0 in	734 kg	1618 lb	1100 kg	2425 lb	1468 kg	3235 lb	Not available
Curve radius min (convex) 3000 mm / 118 in								

### ATTENTION!

- **Newer use less than 4 suction cups!**
- **Always replace with suction cups with the same or higher WLL!**
  - **If this is not possible, additional suction cups must be added to each vacuum circuit to maintain machine WLL and safety factor!**





- If suction cups with lower WLL are used, the overall WLL of the machine is reduced!
- See the standard suction cups size and vacuum level for the machine in the beginning of section 7 Suction cups!
- Always contact customer service regarding suction cup sizes, numbers and configurations!

### 7.3 SPK – Option



Suitable for uneven surfaces

SPK -0,63 bar								
Size - Diameter		WLL - 4 cups		WLL - 6 cups		WLL - 8 cups		Article no.
55 mm	2,0 in	12 kg	26 lb	18 kg	40 lb	24 kg	53 lb	Not available
80 mm	3,0 in	25 kg	55 lb	38 kg	84 lb	50 kg	110 lb	Not available
110 mm	4,5 in	47 kg	104 lb	70 kg	154 lb	94 kg	207 lb	010670
160 mm	6,5 in	106 kg	234 lb	159 kg	351 lb	212 kg	467 lb	011177
200 mm	8,0 in	170 kg	375 lb	255 kg	562 lb	340 kg	750 lb	010821
250 mm	10,0 in	271 kg	597 lb	406 kg	895 lb	542 kg	1195 lb	010756
Curve radius min (convex) 2600 mm / 102 in								

SPK -0,72 bar								
Size - Diameter		WLL - 4 cups		WLL - 6 cups		WLL - 8 cups		Article no.
55 mm	2,0 in	15 kg	33 lb	23 kg	50 lb	30 kg	66 lb	Not available
80 mm	3,0 in	31 kg	69 lb	48 kg	105 lb	63 kg	138 lb	Not available
110 mm	4,5 in	59 kg	130 lb	88 kg	193 lb	118 kg	259 lb	010670
160 mm	6,5 in	133 kg	292 lb	199 kg	438 lb	265 kg	584 lb	011177
200 mm	8,0 in	213 kg	468 lb	319 kg	703 lb	425 kg	937 lb	010821
250 mm	10,0 in	339 kg	747 lb	508 kg	1119 lb	678 kg	1494 lb	010756
Curve radius min (convex) 2600 mm / 102 in								

#### ATTENTION!

- Newer use less than 4 suction cups!
- Always replace with suction cups with the same or higher WLL!
  - If this is not possible, additional suction cups must be added to each vacuum circuit to maintain machine WLL and safety factor!
  - If suction cups with lower WLL are used, the overall WLL of the machine is reduced!



- See the standard suction cups size and vacuum level for the machine in the beginning of section **7 Suction cups!**
- **Always contact customer service regarding suction cup sizes, numbers and configurations!**

### 7.4 FSGPL – Option



Suitable for uneven surfaces

FSGPL -0,63 bar								
Size - Diameter		WLL - 4 cups		WLL - 6 cups		WLL - 8 cups		Article no.
100 mm	4,0 in	15 kg	33 lb	22 kg	49 lb	30	66 lb	Not available
120 mm	5,0 in	28 kg	62 lb	42 kg	93 lb	56	123 lb	011099
150 mm	6,0 in	37 kg	82 lb	55 kg	121 lb	74	163 lb	Not available
200 mm	8,0 in	85 kg	187 lb	127 kg	280 lb	170	375 lb	Not available
250 mm	10,0 in	161 kg	355 lb	241 kg	531 lb	322	710 lb	010616
Curve radius min (convex) 500 mm / 20 in								

FSGPL -0,72 bar								
Size - Diameter		WLL - 4 cups		WLL - 6 cups		WLL - 8 cups		Article no.
100 mm	4,0 in	19 kg	41 lb	28 kg	61 lb	38 kg	83 lb	Not available
120 mm	5,0 in	35 kg	77 lb	53 kg	116 lb	70 kg	154 lb	011099
150 mm	6,0 in	46 kg	102 lb	69 kg	152 lb	93 kg	204 lb	Not available
200 mm	8,0 in	106 kg	234 lb	159 kg	350 lb	213 kg	468 lb	Not available
250 mm	10,0 in	201 kg	444 lb	301 kg	664 lb	403 kg	887 lb	010616
Curve radius min (convex) 500 mm / 20 in								

#### ATTENTION!

- **Newer use less than 4 suction cups!**
- **Always replace with suction cups with the same or higher WLL!**
  - If this is not possible, additional suction cups must be added to each vacuum circuit to maintain machine WLL and safety factor!
  - If suction cups with lower WLL are used, the overall WLL of the machine is reduced!
- See the standard suction cups size and vacuum level for the machine in the beginning of section **7 Suction cups!**



- Always contact customer service regarding suction cup sizes, numbers and configurations!

### 7.5 SPLO – Option



Suitable for minor rough surfaces

SPLO -0,63 bar								
Size - Diameter		WLL - 4 cups		WLL - 6 cups		WLL - 8 cups		Article no.
370x80 mm	14,5x3 in	127 kg	280 lb	190 kg	419 lb	254	560 lb	011996
Curve radius min (convex) 100 mm / 4 in								

SPLO -0,72 bar								
Size - Diameter		WLL - 4 cups		WLL - 6 cups		WLL - 8 cups		Article no.
370x80 mm	14,5x3 in	159 kg	350 lb	238 kg	524 lb	318 kg	700 lb	011996
Curve radius min (convex) 100 mm / 4 in								

**ATTENTION!**

- Newer use less than 4 suction cups!
- Always replace with suction cups with the same or higher WLL!
  - If this is not possible, additional suction cups must be added to each vacuum circuit to maintain machine WLL and safety factor!
  - If suction cups with lower WLL are used, the overall WLL of the machine is reduced!
- See the standard suction cups size and vacuum level for the machine in the beginning of section 7 Suction cups!
- Always contact customer service regarding suction cup sizes, numbers and configurations!
- Requires special suction cups holders see section 12 SPLO suction cup with holder.

## 7.6 Oval – Option



Suitable for uneven and curved surfaces

### Oval **-0,63** bar

Size - Diameter		WLL - 4 cups		WLL - 6 cups		WLL - 8 cups		Article no.
500x180 mm	20x7 in	400 kg	880 lb	600 kg	1320 lb	800 kg	1765 lb	2010104400-F
Curve radius min (convex) 1000 mm / 40 in								

### Oval **-0,72** bar

Size - Diameter		WLL - 4 cups		WLL - 6 cups		WLL - 8 cups		Article no.
500x180 mm	20x7 in	500 kg	1100 lb	750 kg	1650 lb	1000 kg	2200 lb	2010104400-F
Curve radius min (convex) 1000 mm / 40 in								

### ATTENTION!

- **Newer use less than 4 suction cups!**
- **Always replace with suction cups with the same or higher WLL!**
  - **If this is not possible, additional suction cups must be added to each vacuum circuit to maintain machine WLL and safety factor!**
  - **If suction cups with lower WLL are used, the overall WLL of the machine is reduced!**
- See the standard suction cups size and vacuum level for the machine in the beginning of section **7 Suction cups!**
- **Always contact customer service regarding suction cup sizes, numbers and configurations!**
- Requires special suction cups holders see section **11 OVAL suction cup with holder.**

## 8 Suction cup covers

Suction cup covers can be used to protect the suction cups when the machine is not being used.

Size	Item no.
200 mm 7,9 in	011545
250 mm 9,8 in	011409
300 mm 11,8 in	010968
400 mm 15,8 in	010969
180x500 mm 7,1x19,7 in	012526



**ATTENTION!** See the machine specific standard suction cup sizes in section 7 **Suction cups**.

## 9 Flexolinks

Fitting which enables the suction cup to adjust to curved or sloping surfaces.

For machine models	Size	Angle	WLL	Item no.
SL 208, SL 280, SL 380, SL 309, SL 408, SL 409, SL 400 RT	Small model	12 deg	300 kg 660 lb	010398
SL 580, SL 608, SL 609, SL 808, SL 1008, SL 1009	Large model	8 deg	450 kg 992 lb	010571



## 10 Suction cup holders - Extended

Suction cup holder - Extended +105 mm / 4,13 in		
Type	For machine models	Item no.
Type 408	SL 208, SL 280, SL 380, SL 309, SL 408, SL 409, SL 400 RT	2010101310
Type 608-1008	SL 580, SL 608, SL 808, SL 1008	2010101300
Type 1008	SL 808, SL 1008	2010101340

**ATTENTION!** For SL 808 and SL 1008, please order 4 x 2010101300 and 2 x 2010101340.

**ATTENTION!** The longer the load is moved forward, the more the machines lifting capacity decreases.

Suction cup holder - Extended +250 mm / 9,80 in		
Type	For machine models	Item no.
Type 408	SL 208, SL 280, SL 380, SL 309, SL 408, SL 409, SL 400 RT	2010101335
Type 608-1008	SL 580, SL 608, SL 609, SL 808, SL 1008, SL 1009	2010101325
Type 1008	SL 808, SL 1008, SL 1009	2010101360

**ATTENTION!** For SL 808, SL 1008 or SL 1009, please order 4 x 20101001325 and 2 x 2010101360.

**ATTENTION!** The longer the load is moved forward, the more the machines lifting capacity decreases.

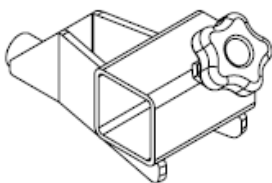
Suction cup holder - Extended + 200 mm / 7,87 in - Flex / adjustable		
Type	For machine models	Item no.
Type 408	SL 208, SL 280, SL 380, SL 309, SL 408, SL 409, SL 400 RT	2010104331
Type 608-1008	SL 580, SL 608, SL 609, SL 808, SL 1008, SL 1009	2010104341
Type 1008	SL 808, SL 1008, SL 1009	2010104350

**ATTENTION!** Adjustable 200 mm.

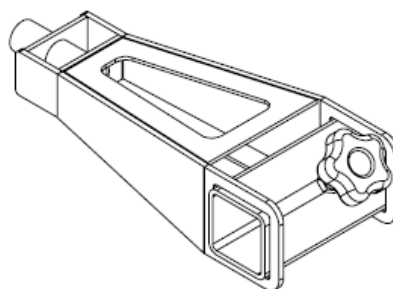
**ATTENTION!** For SL 808, SL 1008 or SL 1009 please order 4 x 2010104341 and 2 x 2010104350.

**ATTENTION!** The longer the load is moved forward, the more the machines lifting capacity decreases.

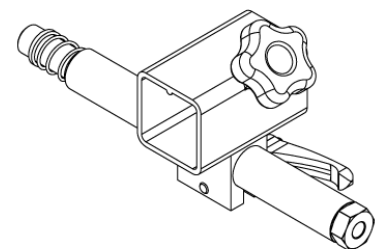
**Suction cup holder  
+105 mm / 4,13 in**



**Suction cup holder  
+250 mm / 9,80 in**



**Suction cup holder flex  
200 mm / 7,87 in**



## 11 OVAL suction cup with holder

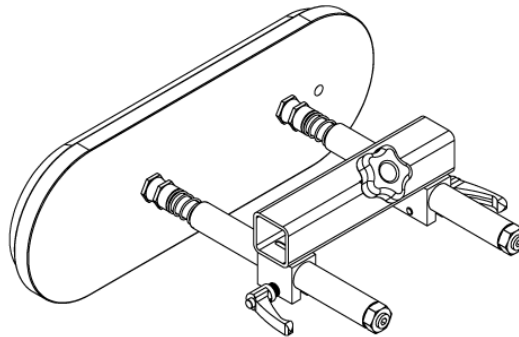
Type	For machine models	Item no.
Type 408	SL 208, SL 280, SL 380, SL 309, SL 408, SL 409, SL 400 RT	2010104321
Type 608-1008	SL 580, SL 608, SL 609, SL 808, SL 1008, SL 1009	2010104322
Type 1008	SL 808, SL 1008, SL 1009	2010104323

**ATTENTION!** SL 808, SL 1008 and SL 1009, use 2010104322 on crossbars and 2010104323 on centre yoke.

**ATTENTION!** Capable of handling curved surfaces with a radius of minimum 1000-1500mm (39,4-59,1in) depending on the machine model and surface size.

**ATTENTION!** Item numbers are inclusive double suction cup holder flex and Flexolinks.

**ATTENTION!** Always contact the technical department regarding suction cup sizes, numbers and configurations.



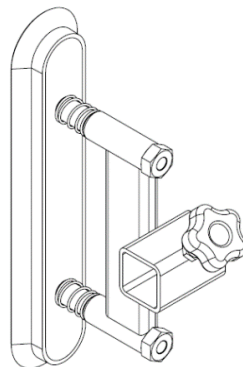
## 12 SPLO suction cup with holder

Type	For machine models	Item no.
Type 408	SL 208, SL 280, SL 380, SL 309, SL 408, SL 409, SL 400 RT	2010104410
Type 608-1008	SL 580, SL 608, SL 609, SL 808, SL 1008, SL 1009	2010104415
Type 1008	SL 808, SL 1008, SL 1009	2010104420

**ATTENTION!** SL808, SL1008 and SL 1009, use 2010104415 on crossbars and 2010104420 on centre yoke.

**ATTENTION!** Small suction cup with very low lifting capacity.

**ATTENTION!** Always contact the technical department regarding suction cup sizes, numbers and configurations.



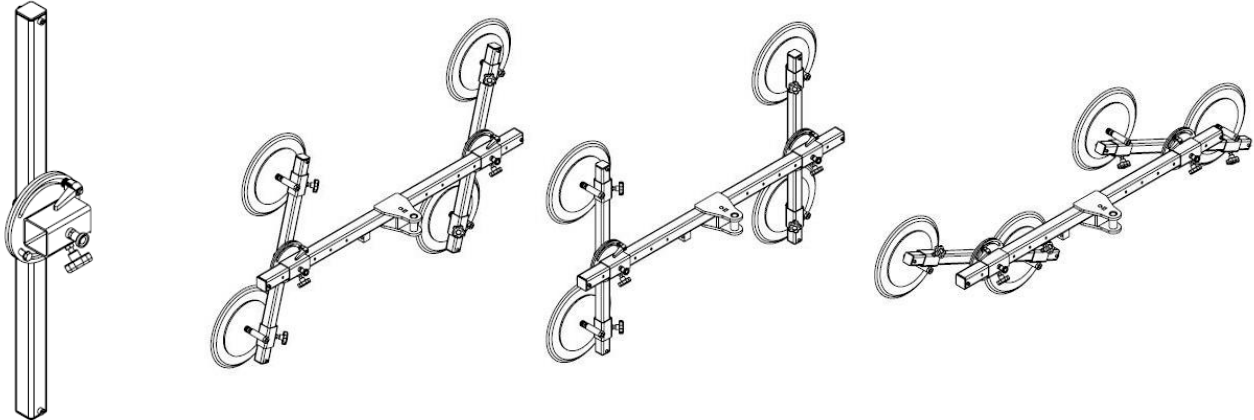


## 13 Crossbars

### 13.1 Rotatable crossbars

Rotatable crossbars can be used for lifting narrow surfaces.

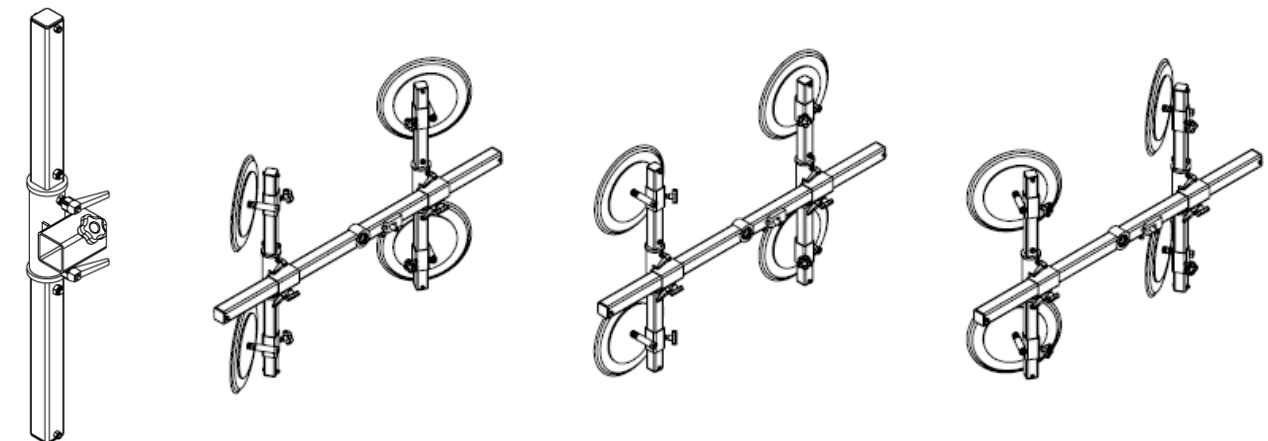
Type	For machine models	Item no.
Type 408	SL 208, SL 280, SL 380, SL 309, SL 408, SL 409	2010101000
Type 608-1008	SL 580, SL 608, SL 609, SL 808, SL 1008, SL 1009	2010101050
Not available	SL 408 RT, SL 409 RT, SL 400 RT	Not available



### 13.2 Turnable crossbars

Turnable crossbars can be used for lifting curved surfaces.

Type	For machine models	Item no.
Type 408	SL 208, SL 280, SL 380, SL 309, SL 408, SL 409	2110110453
Type 408 RT	SL 408 RT, SL 409 RT	2110110520
Type 608-1008	SL 580, SL 608, SL 609, SL 808, SL 1008, SL 1009	2110110470
Not available	SL 400 RT	Not available

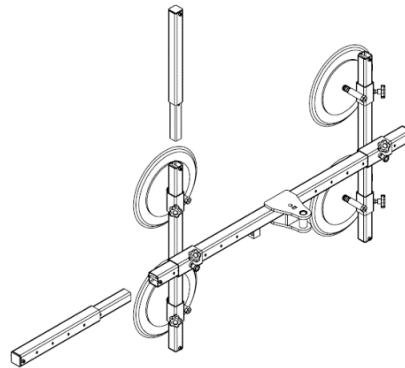


**ATTENTION!** Suction cups must also be suitable for lifting curved surfaces.

## 14 Extenders for yokes and crossbars

Yoke / crossbar extenders can be used to increase the size of the vacuum yoke when lifting large size surfaces. The Length of all extenders is 500 mm (19,7 in).

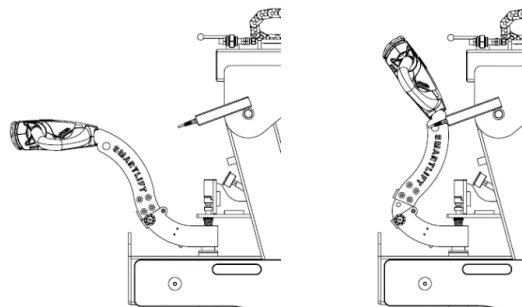
Type	For machine models	Item no.
Type 408 Crossbar	SL 208, SL 280, SL 380, SL 309, SL 408, SL 409, SL 400 RT	2010114050
Type 408 Yoke / 608-1008 Crossbar	SL 208, SL 280, SL 380, SL 408, SL 409, SL 400 RT / SL 580, SL 608, SL 609, SL 808, SL 1008, SL 1009	2010115050
Type 608 Yoke	SL 580, SL 608, SL 609	2010116050
Type 1008 Yoke	SL 808, SL 1008, SL 1009	2010116120



## 15 Foldable handlebars

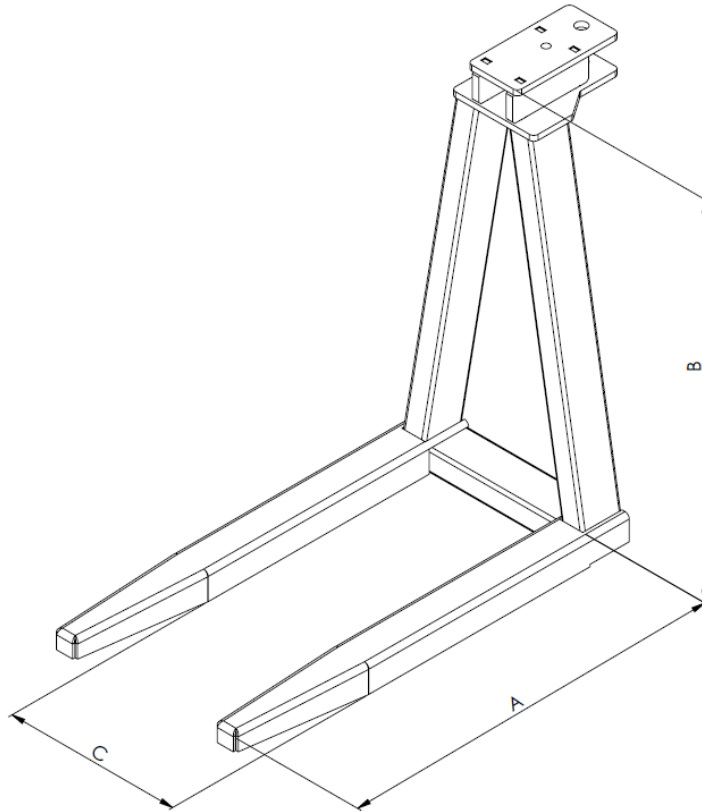
A foldable handlebar can be a great advantage if the machine is transported in a van or a construction site elevator.

Type	For machine models	Item no.
Type 309	Standard on SL 309	3410101500
Type 408	SL 408	0810100260
Type 409	SL 409	3210107000
Type 608	SL 608	1410100280
Type 609	SL 609	3110107000
Type 1008	SL 808, SL 1008	1310100670
Type 1009	SL 1009	3010101200
Not available	SL 208, SL 280, SL 380, SL 580, SL 400 RT	Not available



## 16 Pallet forks

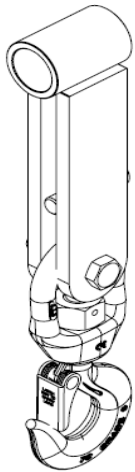
Type	For machine models	A	B	C/C	WLL	Item no.
Type 408	SL 208, SL 280, SL 380, SL 309, SL 408, SL 409	800 mm 31,5 in	740 mm 29,1 in	370 mm 14,6 in	300 kg 660 lb	2010107100
Type 408 RT	SL 408 RT, SL 409 RT		685 mm 27,0 in			2010107800
Type 608	SL 580, SL 608, SL 609		955 mm 37,6 in		500 kg 1100 lb	2010107200
Type 608 RT	SL 580 RT, SL 608 RT SL 609 RT		860 mm 33,9 in	2010107600		
Type 1008	SL 808, SL 1008, SL 1009		1010 mm 39,8 in	390 mm 15,4 in	700 kg 1550 lb	2010107700
Not available	SL 400 RT					Not available



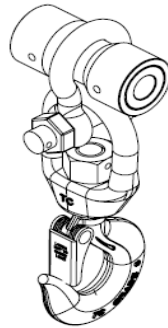
## 17 Lifting hooks with holder

Type	For machine models	WLL	Item no.
Type 408	SL 208, SL 280, SL 380, SL 309, SL 408, SL 409	430 kg 950 lb	001017
Type 408 RT	SL 408 RT, SL 409 RT		2010106350
Type 608	SL 580, SL 608, SL 609	600 kg 1320 lb	001133
Type 608 RT	SL 580 RT, SL 608 RT, SL 609 RT		2010106300
Type 1008	SL 808, SL 1008, SL 1009	1000 kg 2200 lb	2010106400
Not available	SL 408 RT		Not available

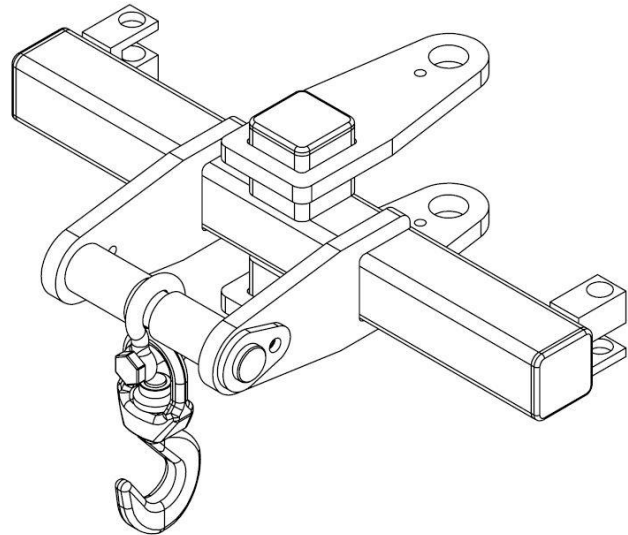
**Type 408**  
**Type 608**



**Type 408**  
**RT**



**Type 1008**

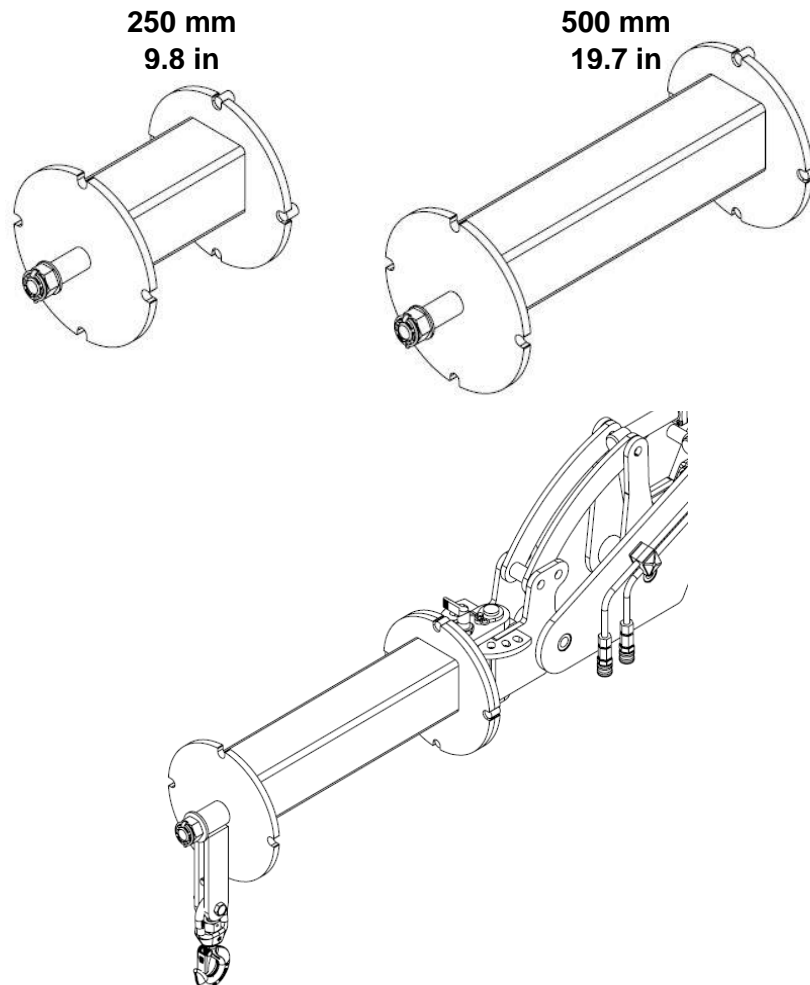


## 18 Lifting hook extenders

For increasing of reach when using lifting hook.

Type	For machine models	Dimensions	WLL	Item no.
Type 408 – 250 mm	SL 208, SL 280, SL 380, SL 309, SL 408, SL 409	250 mm 9,8 in	½ of machine WLL	2010110330
Type 408 – 500 mm	SL 208, SL 280, SL 380, SL 309, SL 408, SL 409	500 mm 19,7 in	¼ of machine WLL	2010110355
Type 608 – 250 mm	SL 580, SL 608, SL 609	250 mm 9,8 in	½ of machine WLL	2010110325
Type 608 – 500 mm	SL 580, SL 608, SL 609	500 mm 19,7 in	¼ of machine WLL	2010110350
Not available	SL 408 RT, SL 409 RT, SL 580 RT, SL 608 RT, SL 609 RT, SL 808, SL 1008, SL 1009 SL 400 RT			Not available

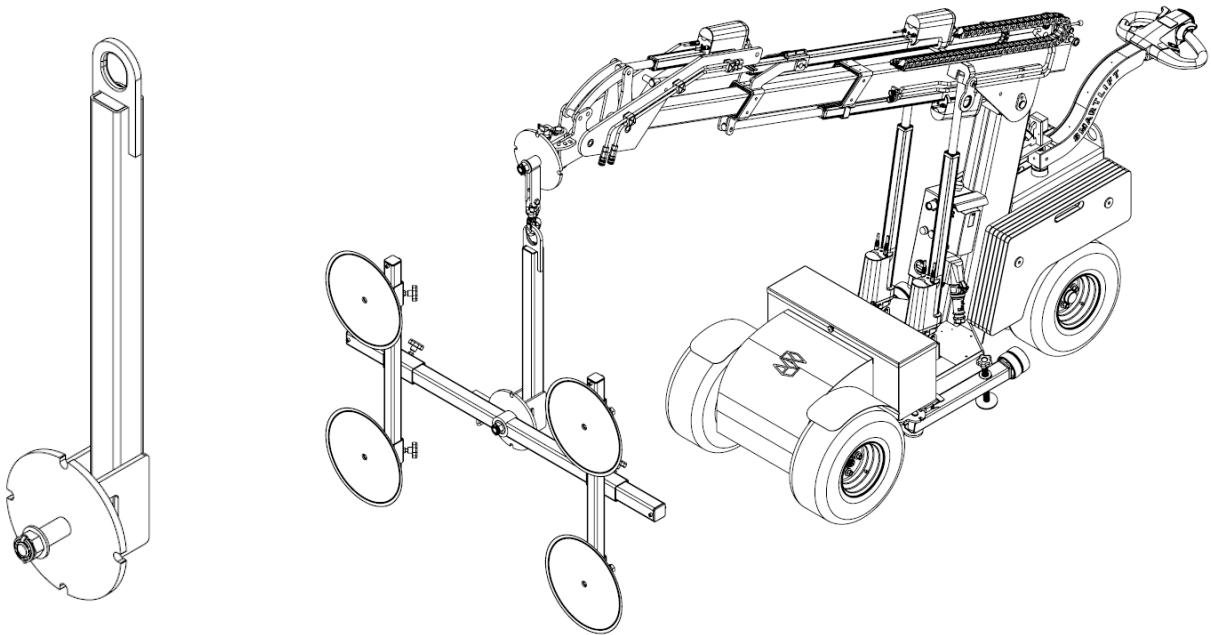
**ATTENTION!** Only intended for use with lifting hook.



## 19 Yoke holder - Below the hook

Type	For machine models	Length	WLL	Item no.
Type 408	SL 208, SL 280, SL 380, SL 309, SL 408, SL 409	625 mm 24,6 in	430 kg 950 lb	2210125040
Type 608	SL 580, SL 608, SL 609	805 mm 31,7 in	600 kg 1320 lb	2210125020
Not available	SL 408 RT, SL 409 RT, SL 580 RT, SL 608 RT, SL 609 RT SL 808, SL 1008, SL 1009, SL 400 RT			Not available

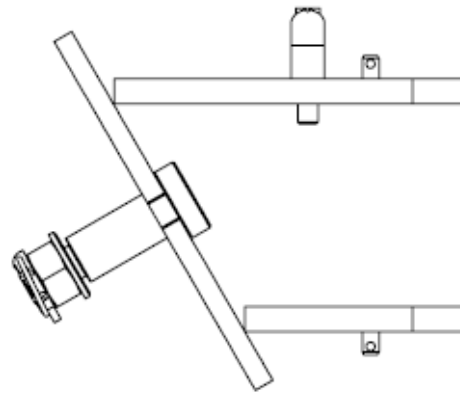
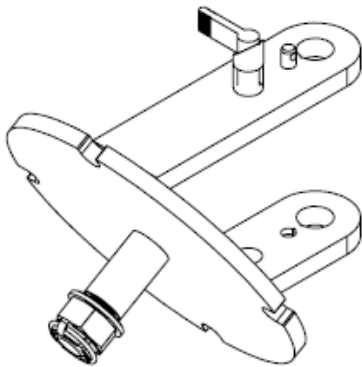
**ATTENTION!** Require lifting hook. See section 17 Lifting hook.



## 20 Swivel joint - 30 deg

Makes it possible to change the tilt work area by 30 degrees forward or backward.

Type	For machine model	Angle	WLL	Item no.
Type 408 - 30 deg	SL 208, SL 280, SL 380, SL 309, SL 408, SL 409	30 deg	430 kg 950 lb	2010101131
Type 608 - 30 deg	SL 580, SL 608, SL 609	30 deg	600 kg 1320 lb	2010101160
Not available	SL 408 RT, SL 409 RT SL 580 RT, SL 608 RT, SL 609 RT SL 808, SL 1008, SL 1009 SL 400 RT			Not available



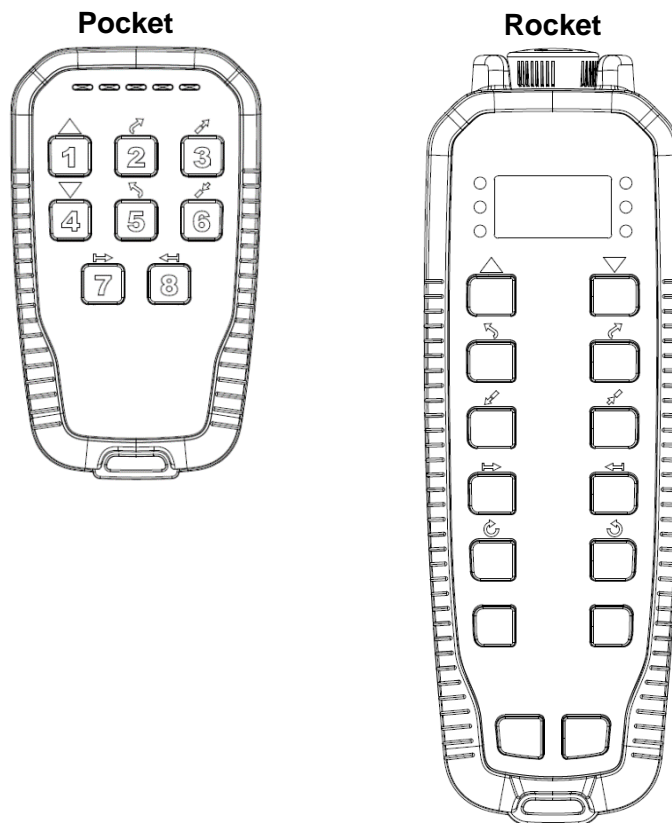


## 21 Cordless remote controls

Makes it possible to control the functions of the machine, without being limited by the cord.

Type	For machine models	Item no.
Pocket	SL 208, SL 280, SL 380, SL 580, SL 408, SL 680	001158
Rocket	SL 208, SL 280, SL 380, SL 580, SL 580 RT, SL 408, SL 408 RT, SL 608, SL 608 RT	001198
Rocket CAN bus	SL 309, SL 409, SL 409 RT, SL 609, SL 609 RT	013054

**ATTENTION!** Cannot be retrofitted.



## 22 PLC vacuum control with cordless remote control

Makes it possible to control the functions and vacuum of the machine, without being limited by the cord.

For machine models	Item no.
SL 208, SL 280, SL 380, SL 580, SL 408, SL 608	001327*
SL 309, SL 409, SL 609, SL 808, SL 1008, SL 1009	Not available

**ATTENTION!** Includes Rocket cordless remote control 001198.

**ATTENTION!** SL 309, SL 409, SL 609 and SL 1009 have vacuum On/Off in the standard remote controls and wireless remote controls.



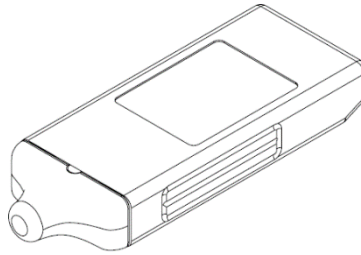
### 23 Tracker GPS/GSM

Makes it possible to track the location of the machine via app or browser.

For machine models	Item no.
All machines	012817

**Note:** Can be retrofitted and includes 36-month subscription.

**ATTENTION!** Tracker and 36-month subscription are included in SL 409 HLE, SL 409 HLE RT, SL 609 HLE, SL 609 HLE RT and SL 1009.

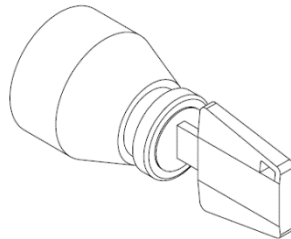


### 24 Electric key switch

Makes it possible to lock and prevent unauthorized use of the machine.

For machine models	Item no.
SL 208, SL 400 RT	Not available
SL 280, SL 380, SL 580, SL 408, SL 309, SL 409, SL 608, SL 609, SL 808, SL 1008, SL 1009	001345

**ATTENTION!** Can be retrofitted.



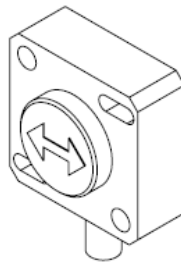
## 25 Single Gyro - Angle sensor

Makes it possible to maintain specific saved angle automatically when lifting a load.

For machine models	Item no.
SL 208, SL 280, SL 380, SL 580, SL 408, SL 608	001398
SL 309, SL 408 RT, SL 409, SL 409 RT, SL 608 RT, SL 609, SL 609 RT, SL 808, SL 1008, SL 1009	Not available

**ATTENTION!** Cannot be retrofitted.

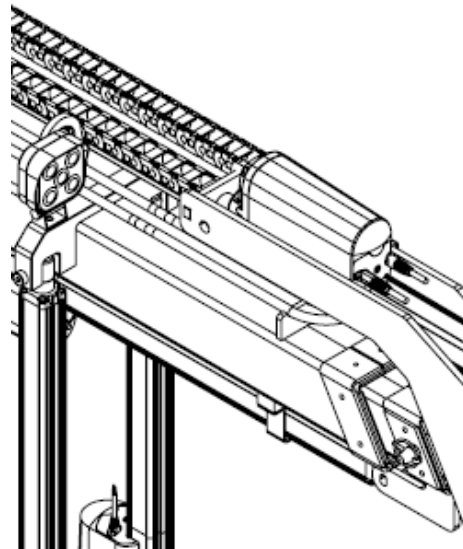
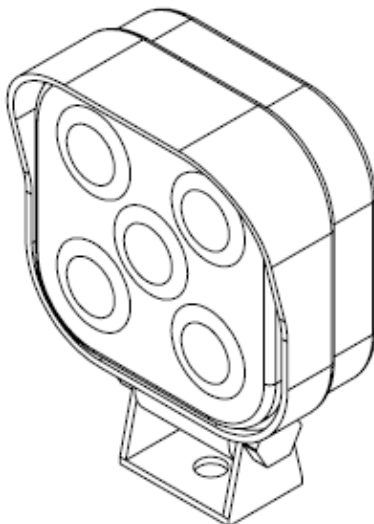
**ATTENTION!** Cannot be used on RT machines.



## 26 Work light (LED)

For machine models	Item no.
SL 208, SL 280, SL 380, SL 580, SL 309, SL 408, SL 409, SL 608, SL 609, SL 808, SL 1008, SL 1009	001302
SL 400 RT	Not available

**ATTENTION!** Cannot be retrofitted.



## 27 Remote control battery and chargers

Additional battery and charger for remote control.

Description	For machine models	Item no.
Battery for remote control	SL 808, SL 1008, SL 1009	010572
Charger for remote control battery 12-30 V	SL 808, SL 1008, SL 1009	011361
Charger for remote control battery 110-240 V	SL 808, SL 1008, SL 1009	011368

**ATTENTION!** SL 808, SL 1008 and SL 1009 have a 12-30 V charger mounted on the machine.

## 28 SL 400 RT

SL 400 RT is an equipment for mounting on a parent machine such as a telehandler or similar.

### 28.1 Remote controls, batteries and chargers

Additional remote controls, batteries and chargers.

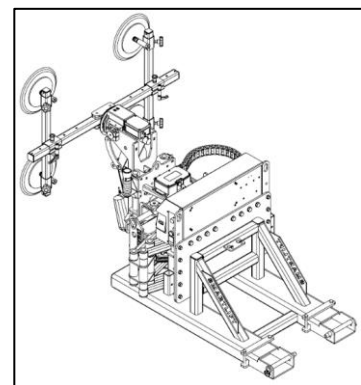
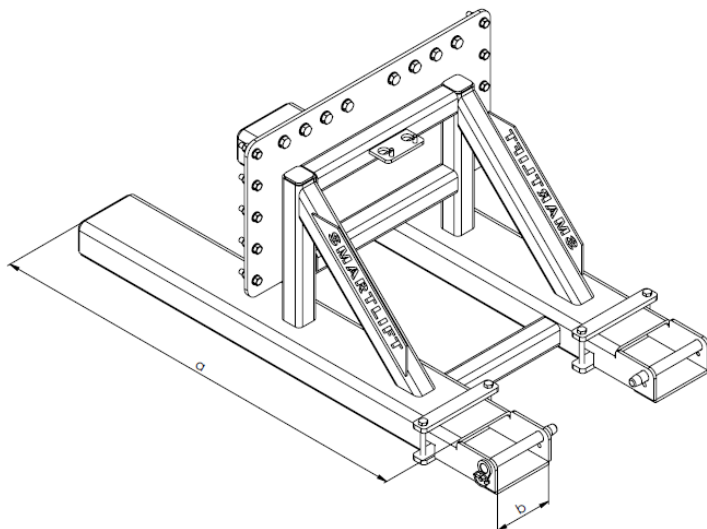
Description	For machine models	Item no.
Remote control 433 mhz	SL 400 RT	010977
Remote control 915 mhz	SL 400 RT	011648
Battery for remote control	SL 400 RT	010572
Charger for remote control battery 110-240 V	SL 400 RT	011368
Operating battery - Lithium	SL 400 RT	010885
Charger for operating battery	SL 400 RT	010886

### 28.2 Pallet fork adapter

SL 400 RT is an equipment for mounting on a parent machine. With this pallet fork adapter, the SL 400 RT can be mounted on a telehandler with pallet forks.

Description	Dimensions	For machine models	Item no.
Pallet fork adapter	Max fork length (a) 1200mm / 47,25 in	SL 400 RT	2510102000
	Max fork width (b) 160mm / 6,3 in		

**ATTENTION!** Intended for telehandlers with a load capacity of minimum 2000 kg / 4410 lb.



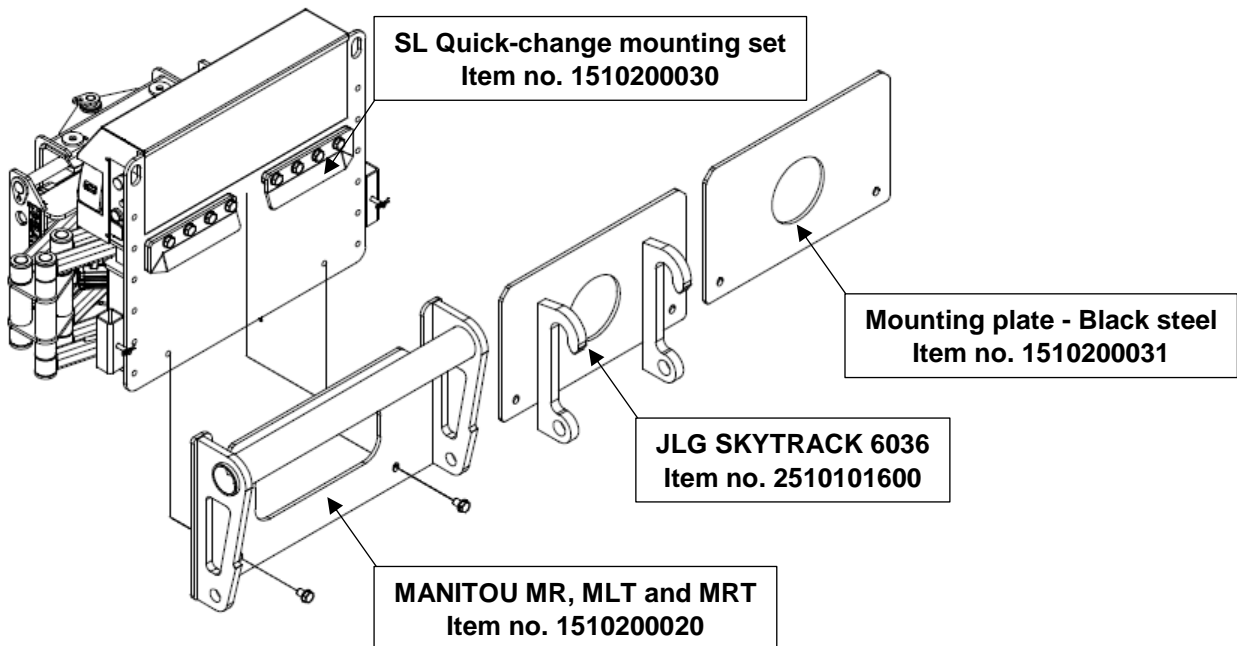
### 28.3 Quick-change – SL Quick-change

SL Quick-Change makes it possible to use the machine with several different telehandlers. The switch between the telehandler brands and models can be done with only 2 bolts.

SL Quick-change	Description	Item no.
SL Quick-change	Mounting set	1510200030
SL Quick-change	Mounting plate - Black steel plate for development of attachment to parent machine	1510200031*
<b>Type – SL QC</b>	<b>For telehandler models</b>	
MANITOU	Telehandlers MR, MLT and MRT series	1510200020*
JLG	Telehandlers SKYTRACK 6036	2510101600*

**ATTENTION!** Adapters and quick-change for other telehandlers can be manufactured.

**ATTENTION!** \* Requires SL Quick-Change mounting set 1510200030.

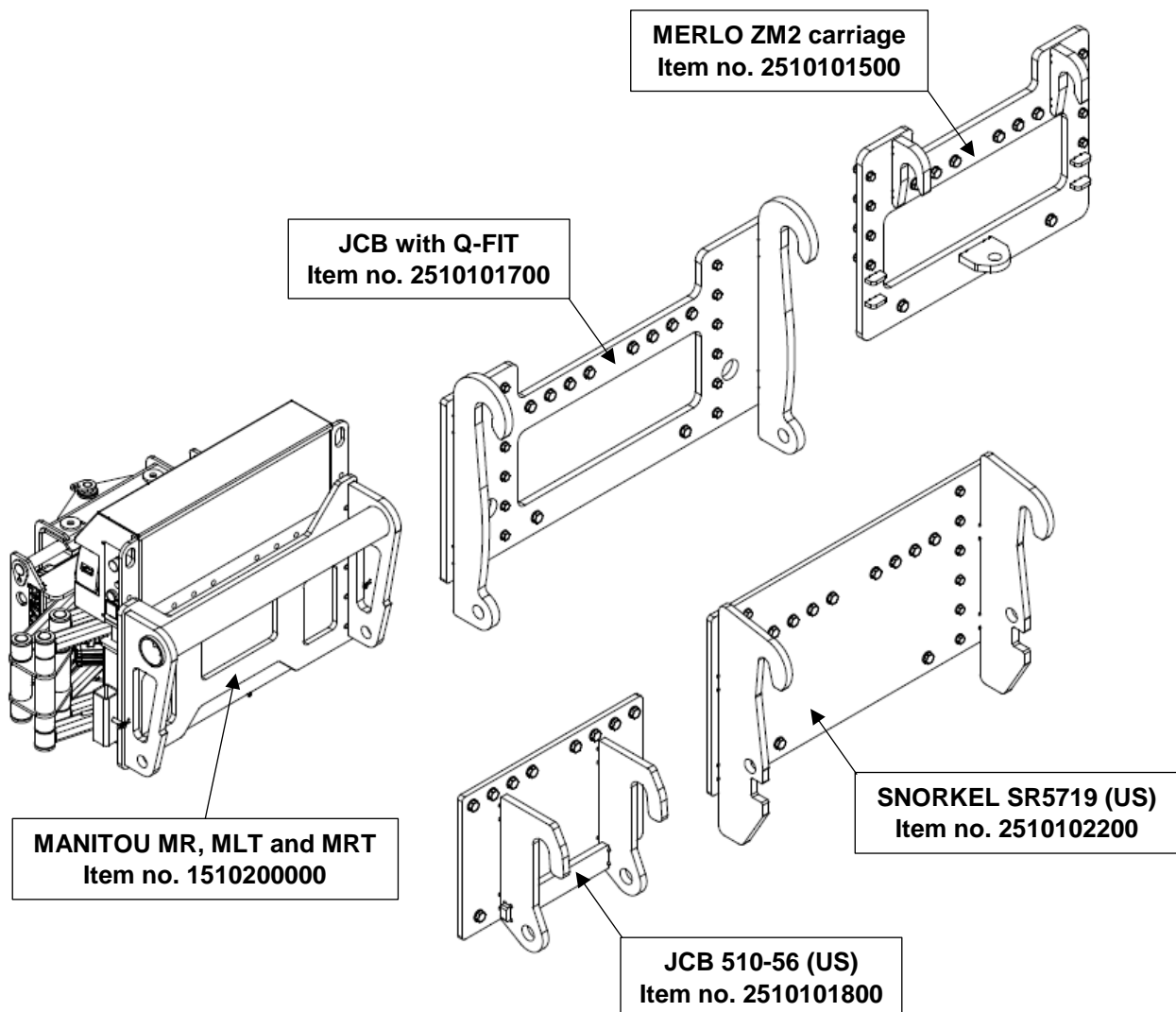


## 28.4 Quick-change – Bolt-On

Quick-Change makes it possible to use the machine on a specific telehandler brand and model.

Type – Bolt-On	For telehandler models	Item no.
MERLO	Telehandlers with ZM2 Carriage	2510101500
JCB	Telehandlers with Q-FIT	2510101700
MANITOU	Telehandlers MR, MLT and MRT series	1510200000
SNORKEL	SNORKEL SR5719 (US)	2510102200
JCB	JCB 510-56 (US)	2510101800

**ATTENTION!** Adapters and quick-change for other telehandlers can be manufactured.



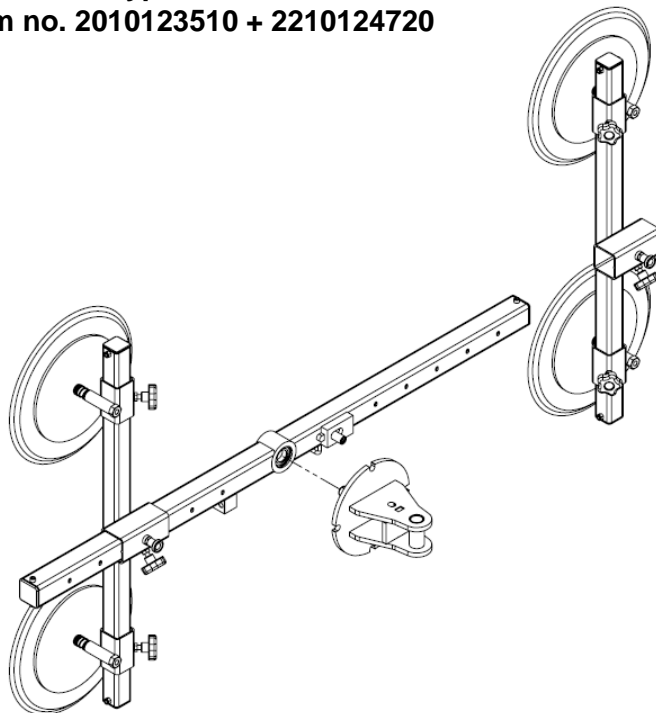
## 29 Manual rotation for RT machines

Makes it possible rotate the yoke both manually and electrical.

Type	For machine models	Item no.
408 RT	SL 408 RT, SL 309, SL 409 RT, SL 400 RT	2010123610 + 2210124760
608 RT	SL 608 RT, SL 609 RT	2010123510 + 2210124720
Not available	SL 208, SL 280, SL 380, SL 580, SL 309, SL 408, SL 409, SL 608, SL 609, SL 808, SL 1008, SL 1009	Not available

**ATTENTION!** Only for RT machines

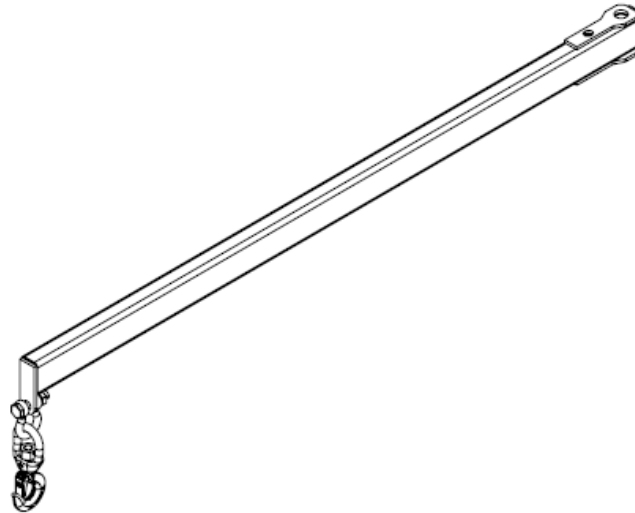
**Type 608 RT**  
**Item no. 2010123510 + 2210124720**





### 30 Extender with lifting hook

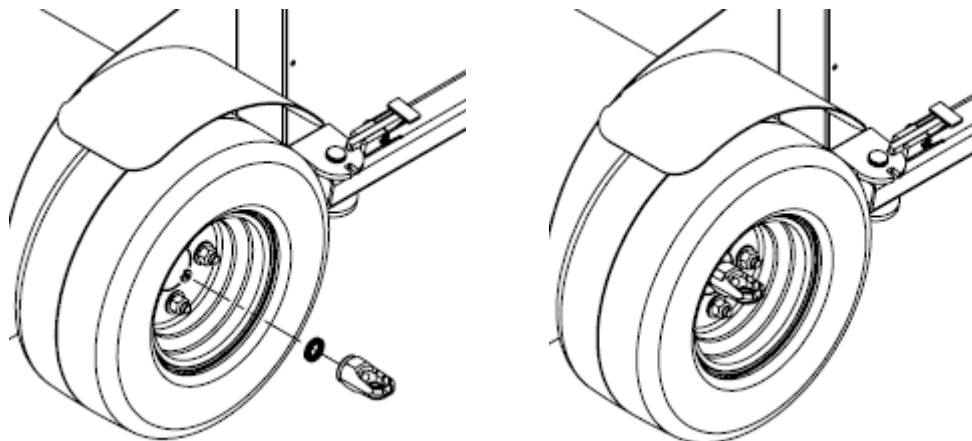
Type	For machine models	Dimensions	WLL	Item no.
Type 608 RT – 1500 mm	SL 608 RT, SL 609 RT	1500 mm 59 in	100 kg / 220 lb	2210127000
Type 608 RT – 750 mm	SL 608 RT, SL 609 RT	1750 mm 30 in	200 kg / 440 lb	2210128000
Not available	SL 309, SL 408 RT, SL 409 RT, SL 808, SL 1008, SL 1009, SL 400 RT			Not available



### 31 Lashing eye kit for S21 Powertrain

Type	For machine models	Item no.
Lashing eye kit - S21	SL 309, SL 408, SL 409, SL 608, SL 609	013806-F
Not available	SL 208, SL 280, SL 380, SL 580, SL 808, SL 1008, SL 1009, SL 400 RT	Not available

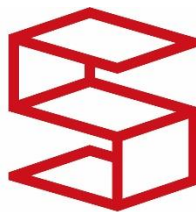
**ATTENTION!** SL 408 and SL 608 only with S21 Powertrain





**SMARTLIFT**

Accessory guide - SL



**SMARTLIFT<sup>®</sup>**

N.A. Christensensvej 39,  
DK-7900 Nykøbing Mors  
Tel.: +45 97 72 29 11

E-Mail: [smart@smartlift.com](mailto:smart@smartlift.com)  
[www.smartlift.com](http://www.smartlift.com)